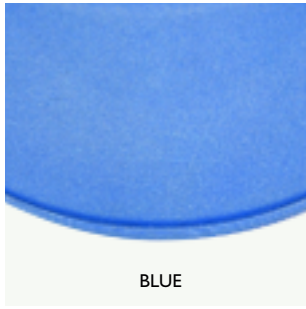




WHITE



AQUAMARINE



BLUE



PEACH



KALIAS

TILOS

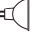

CRONOCOLOR KALIAS-TILOS

ERNESTO GISMONDI • 1993

SEMI-RECESSED CEILING DOWNLIGHT LUMINAIRES FOR DIRECT AND DIFFUSED, LOW VOLTAGE HALOGEN LIGHTING.

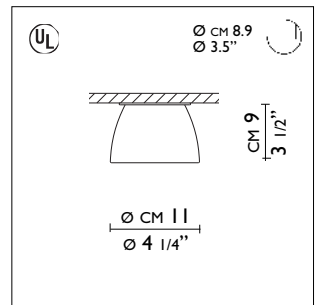
- TRIM/DIFFUSER IN MOLDED, INTERNALLY SANDED GLASS OF WHITE, BLUE, PEACH OR AQUAMARINE
- SUPPORTING RING IN CHROMED STEEL
- SUPPLIED RECESSED HOUSING IN STEEL CONSTRUCTION WITH INCORPORATED LOW VOLTAGE 120/12V TRANSFORMER (277/12V OPTIONAL)
- RECESSED HOUSING TYPE TO BE SELECTED FROM:
 - "NEW CONSTRUCTION"
 - "INSULATED NEW CONSTRUCTION"
 - "REMODELING"
- CEILING CUT-OUT DIMENSION FOR "REMODELING": $\varnothing 3 \frac{1}{2}$ "

HALOGEN SOURCE

- NEW CONSTRUCTION & REMODELING
1X50W/12V
(GUS.3/MR16 LENSED) 
- INSULATED NEW CONSTRUCTION
1X35W/12V
(GUS.3/MR16 LENSED) 



KALIAS



TILOS

