

DIAFANI

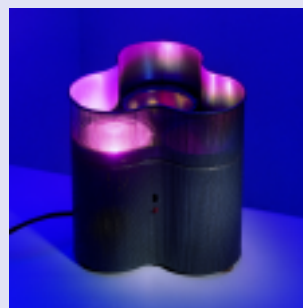
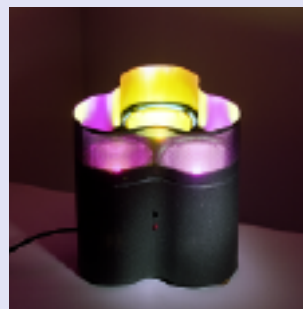
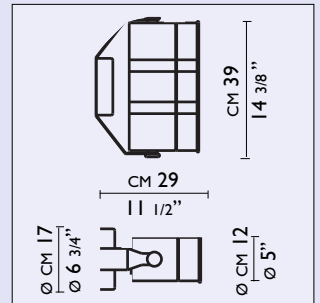
ERNESTO GISMONDI • 1997

WALL OR CEILING MOUNTED LUMINAIRE FOR DIRECT/INDIRECT, DIFFUSED LIGHTING, UTILIZING THE METAMORFOSI 3 PATENTED TECHNOLOGY FOR REMOTE CONTROLLED WHITE AND COLOR LIGHT (REFER TO PAGE 192).

BODY IN CHARCOAL GREY LACQUERED PERFORATED STEEL, ADJUSTABLE ON THE SUPPORT BRACKET FOR LIGHT PROJECTION ORIENTATION. WALL/CEILING STEEL BRACKET WITH INCORPORATED MICROPROCESSOR AND RECEPTION SENSOR FOR THE REMOTE CONTROL OF THE ACTIVATION AND REGULATION OF THE THREE COLOR LIGHT SOURCES, MOUNTING TO STANDARD ELECTRICAL JUNCTION BOX.

HALOGEN LIGHT SOURCES:

- 3X150W / 12V (B15d FROSTED) 



MEONIA

ERNESTO GISMONDI • 1997

TABLE STANDING, PORTABLE LUMINAIRE FOR INDIRECT AND DIFFUSED LIGHTING, UTILIZING THE METAMORFOSI 3 PATENTED TECHNOLOGY FOR REMOTE CONTROLLED WHITE AND COLOR LIGHT (REFER TO PAGE 192).

THREE-LEAF SHAPED BODY IN CHARCOAL GREY LACQUERED PERFORATED STEEL, WITH INCORPORATED MICROPROCESSOR AND RECEPTION SENSOR FOR THE REMOTE CONTROL OF THE ACTIVATION AND REGULATION OF THE THREE COLOR LIGHT SOURCES. EQUIPPED WITH A TILTING DEVICE FOR THE ADJUSTMENT OF THE LIGHT PROJECTION ORIENTATION.

HALOGEN LIGHT SOURCES:

- 3X150W / 12V (B15d FROSTED) 