

EDGE 21-30 WALL/CEILING

ALESSANDRO MENDINI • 2005

CEILING OR WALL MOUNTED
LUMINAIRE FOR DIFFUSED
FLUORESCENT LIGHTING.

- CUBIC SHAPED DIFFUSER IN OPAL WHITE POLYPROPYLENE
- DIFFUSER PRODUCED BY ROTOFORM MOLDING TECHNOLOGY
- TOTALLY CONCEALED MOUNTING PLATE IN WHITE POLYCARBONATE
- MOUNTING TO STANDARD ELECTRICAL JUNCTION BOXES

FLUORESCENT SOURCE

EDGE 21 WALL/CEILING

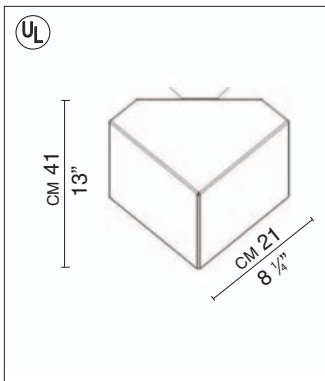
- 1 X 20W 
(E26/SELF-BALLASTING/HEX TUBE)

EDGE 30 WALL/CEILING

- 1 X 23W 
(E26/SELF-BALLASTING/HEX TUBE)



EDGE 21 WALL/CEILING



EDGE 30 WALL/CEILING

