



ELIO SUSPENSION HAL



ELIO SUSPENSION MH

ELIO SUSPENSION HAL ELIO SUSPENSION MH


MICHEL TORTEL • 2000

CABLE SUSPENDED LUMINAIRES FOR DIRECT HALOGEN OR METAL HALIDE LIGHTING.

- DIFFUSER IN DIE-CAST ALUMINUM, WITH SILVER GREY EPOXY POWDER FINISH, WITH INCORPORATED REFLECTOR IN ANODIZED ALUMINUM AND CLEAR TEMPERED GLASS LENS
- ANTI-GLARE GRILLE OPTIONAL
- DIFFUSER UPPER BALLAST CASING IN DIE-CAST ALUMINUM FOR METAL HALIDE VERSION (MH)
- SUSPENSION CABLES IN STAINLESS STEEL
- CEILING CANOPY IN DIE-CAST ALUMINUM MOUNTING TO STANDARD ELECTRICAL JUNCTION BOX


ELIO SUSPENSION HAL

HALOGEN SOURCE

- 1 X 300W (R7s/T3) _____ 

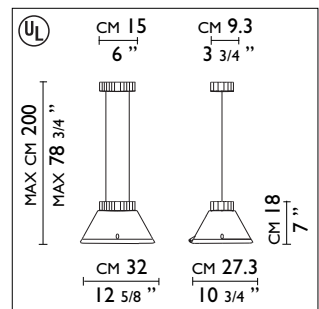
ELIO SUSPENSION MH

METAL HALIDE SOURCE

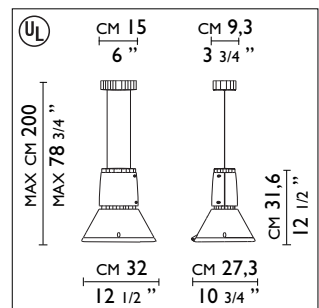
- 1 X 70W (R7s/T6) OR
- 1 X 150W (R7s/T6) _____ 



OPTIONAL ANTI-GLARE GRILLE



ELIO SUSPENSION HAL



ELIO SUSPENSION MH