

lunex

15
17

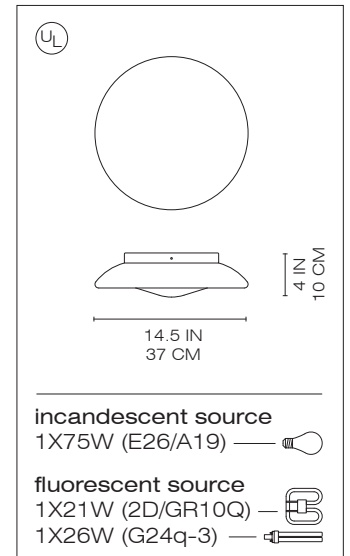
ceiling or wall mounted luminaire for diffused incandescent or fluorescent lighting.

- . diffuser in white opaline handblown glass with clear edge.
- . mounting plate in white powder coated steel with chrome plated steel fasteners.
- . mounting to standard electrical junction box centered on luminaire.

design 2005
michele de lucchi



ADA 15



ADA 17

