

Compact Keyboard Platform

Primary Customer Need:

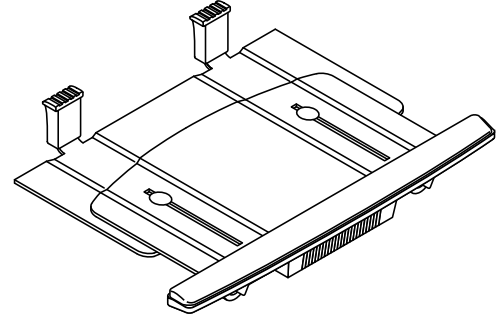
Keyboard support platform that securely holds a rectangular keyboard.

User Requirements:

- A clamping keyboard platform that holds a rectangular keyboard in as small an envelope as possible
- Attachment of mousing surface is required
- A palm rest is required

Product Features:

- Style Numbers: CSC – 1½" Palm Rest
CSCD – 3" Palm Rest
- Size: W11½ x H2½ x D9½
- Color: Black
- Construction: Powder-coated sheet metal
- Application: Provides rigid support in tight applications
- Warranty: 10 years
- Use with either the Details Spring Assist, Dialect or Stella mechanisms.
- Expandable platform with clamping tray to secure keyboards up to 9½" x 22".
- Two height-adjustable palm rest choices: 1½" or 3".
- A Compact Platform with a 1½" palm rest requires 18"-wide knee space.
- A Compact Platform with a 3" palm rest requires 20"-wide knee space.
- Mounting hardware for Quick-Connect™ capability ships attached to the platform.
- Mounting hardware for conventional attachment is included.
- Cable management routing clips are included with mounting hardware.
- Product meets or exceeds all applicable ANSI/BIFMA test standards.
- Use with CKMS or CKF mousing supports.



For a better day at work.™

details®

A STEELCASE COMPANY

www.details-worktools.com
P.O. Box 1967 Grand Rapids, MI 49501-1967
All rights reserved. Printed in U.S.A. 1/05